
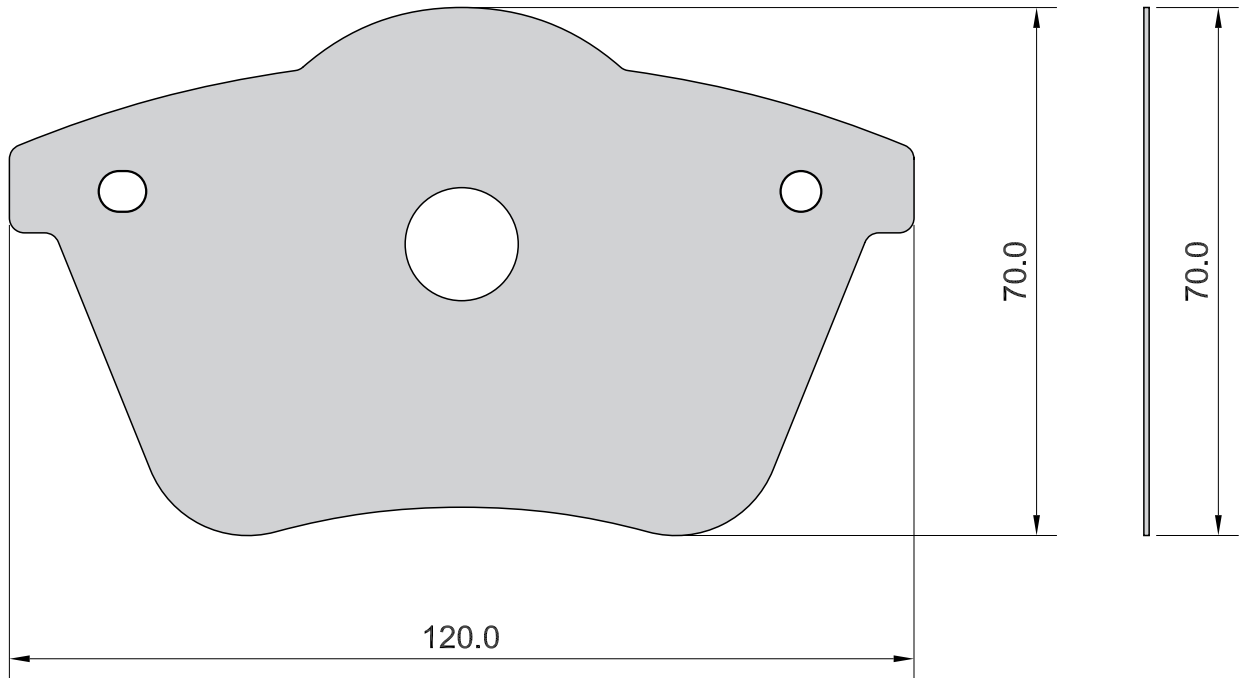


APPLICATION	AXLE	SCALE	REV.	DATE	SHIM 601
	F	100%	00	04/11/2014	
<b>AUDI:</b> A4 III,A4 CABRIO II,A4 CABRIO QUATTRO II,A4 III,A6 ALLROAD II, A6 IV,A8 II,S4 <b>SAAB:</b> 9-3 <b>SKODA:</b> SUPERB <b>VOLKSWAGEN:</b> GOLF <b>VOLVO:</b> S40,V50 <b>SEAT:</b> EXEO	<b>W.V.A.</b> 23680 24142 23763 23912 23713 23950 24141 23801	<b>FMSI</b> D1003-I D1305-I D0915-I	O.E.	 <b>MECCANICHE MARCO MORETTO S.R.L.</b> <b>BRAKE PADS COMPONENTS</b>	



Drawing in CAD corrections are not allowed

**TOLLERANCE: ± 0.5**