
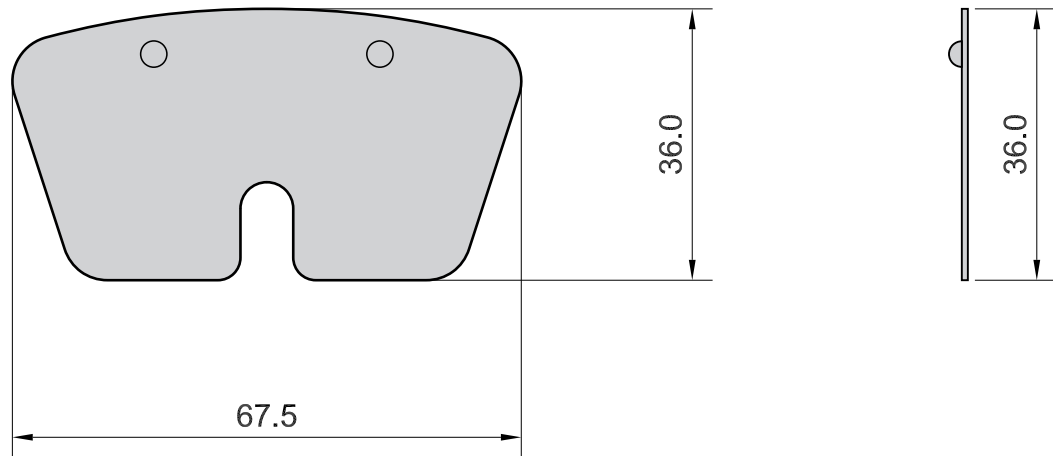


APPLICATION	AXLE	SCALE	REV.	DATE	SHIM 633
	R	100%	00	20/07/2014	
<b>ALFA ROMEO:</b> MITO <b>CITROEN:</b> C4 <b>FIAT:</b> BRAVO, LINEA, MULTIPLA, STILO <b>LANCIA:</b> DELTA <b>PEUGEOT:</b> 201	<b>W.V.A.</b> 23714 24150 24737 25526	<b>FMSI</b> D1620	O.E.	 <b>MECCANICHE MARCO MORETTO S.R.L.</b> <b>BRAKE PADS COMPONENTS</b>	



Drawing in CAD corrections are not allowed  
**TOLLERANCE: ± 0.5**