
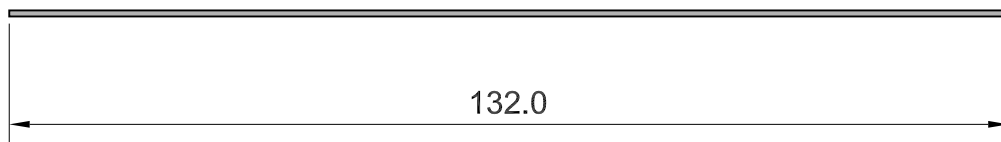
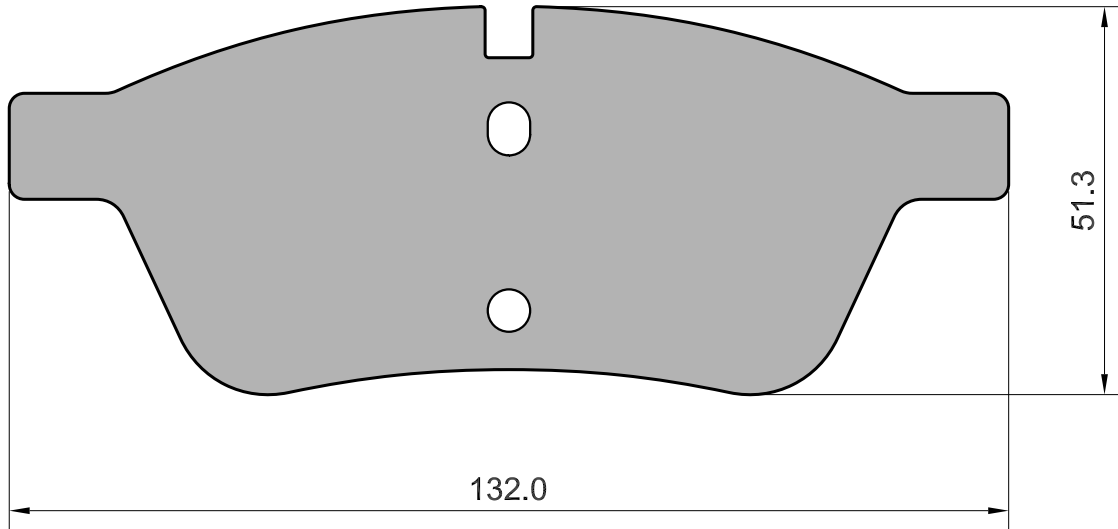


APPLICATION	AXLE	SCALE	REV.	DATE	SHIM 643
	F	100%	00	15/03/2013	
<b>BMW:SERIES 3</b> <b>DE LA CHAPELLE: 55,57</b> <b>HARTGE: H</b> <b>WIESMANN: ROADSTER</b>	W.V.A.	FMSI	O.E.		
	21292	D0558	34111160356		
	21293		34111160357		
	21643		34111161437		
	21644		34111161438		
	21916		34111161445		
					 <b>MECCANICHE MARCO MORETTO S.R.L.</b> <b>BRAKE PADS COMPONENTS</b>



Drawing in CAD corrections are not allowed

TOLLERANCE: ± 0.5