
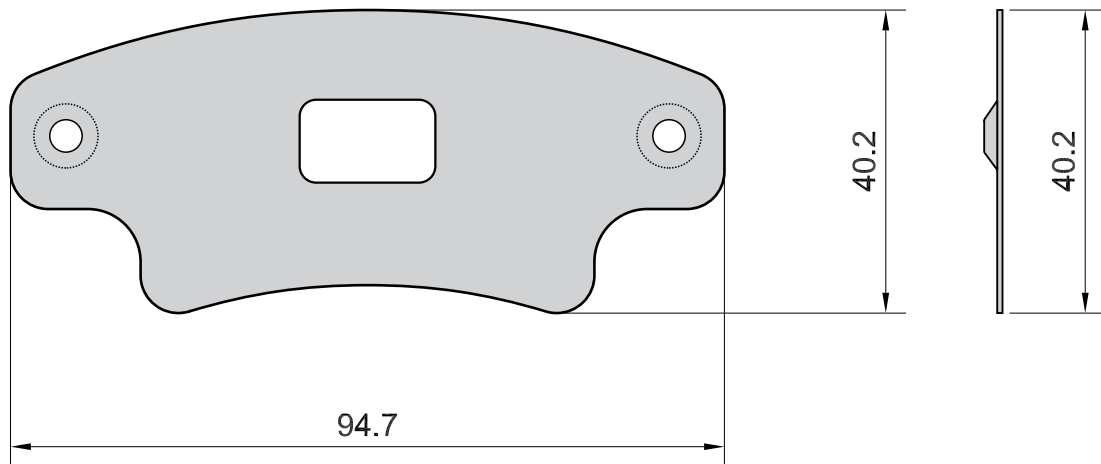


APPLICATION	AXLE	SCALE	REV.	DATE	SHIM 644
	F	100%	00	20/07/2017	
CITROEN: C1 PEUGEOT: 107 RENAULT: MEGANE TOYOTA: AYGO	W.V.A.	FMSI	O.E.		 <b>MECCANICHE MARCO MORETTO S.R.L.</b> BRAKE PADS COMPONENTS
	23959		4253.28 4253.26 4253.27 04465-0H020		



Drawing in CAD corrections are not allowed

**TOLLERANCE: ± 0.5**