
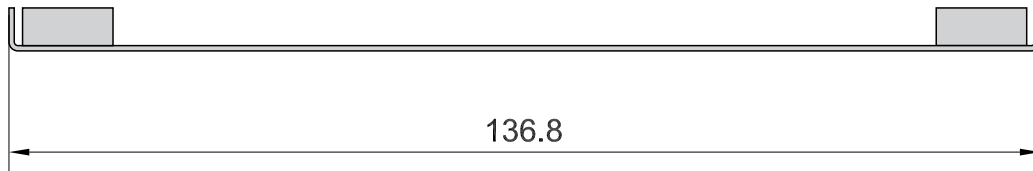
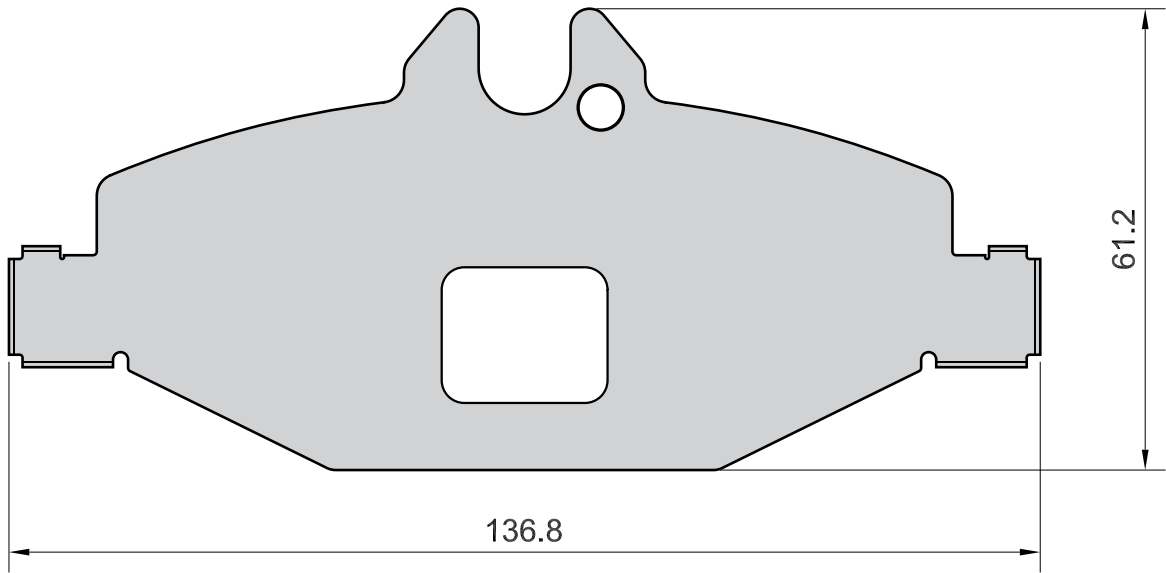


APPLICATION MERCEDES BENZ:E-CLASS	AXLE	SCALE	REV.	DATE	SHIM 647.1
	F	100%	00	20/07/2014	
	W.V.A. 23428 23743 23744	FMSI D0987	O.E.		 MECCANICHE MARCO MORETTO S.R.L. BRAKE PADS COMPONENTS



Drawing in CAD corrections are not allowed
TOLLERANCE: ± 0.5