
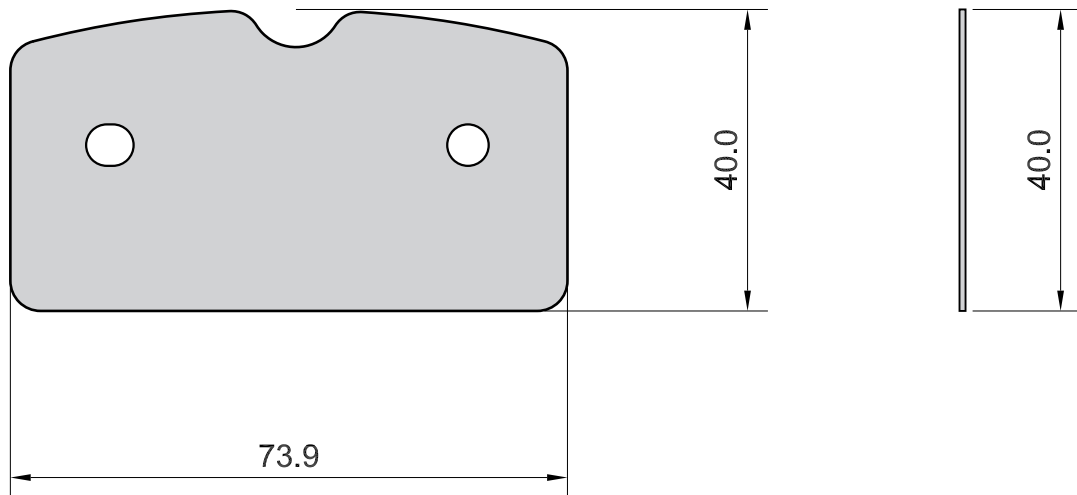


APPLICATION	AXLE	SCALE	REV.	DATE	SHIM 650.1
	F	100%	00	29/01/2015	
<b>CITROEN:</b> C5 <b>FORD:</b> C-MAX,FOCUS <b>JAGUAR:</b> XK,S-TYPE <b>MAZDA:</b> 3 , 5 <b>OPEL:</b> VECTRA,SIGNUM <b>PONTIAC:</b> SOLSTICE <b>RENAULT:</b> ESPACE,MEGANE	<b>W.V.A.</b> 24136 24137 25213	<b>FMSI</b> D1095-I	<b>O.E.</b> 1605117 1605993 440600002R 440601689R 7701207996 93183140	 <b>MECCANICHE MARCO MORETTO S.R.L.</b> <b>BRAKE PADS COMPONENTS</b>	



Drawing in CAD corrections are not allowed  
**TOLLERANCE: ± 0.5**