

APPLICATION

AXLE

SCALE

REV.

DATE

SHIM 654

F

100%

00

30/11/2013

W.V.A.

FMSI

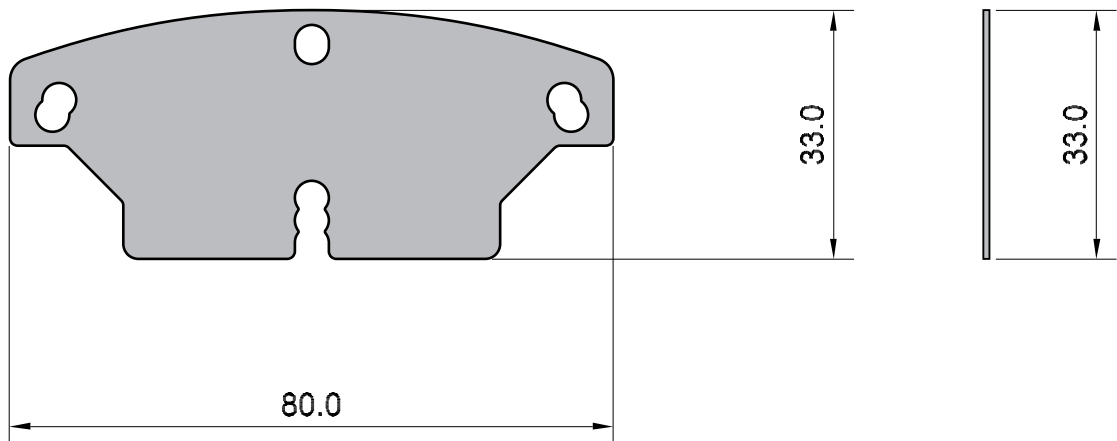
O.E.

24276
24320
24321
24322
24479
24480
25292
25293

D1398-0
D1398-1
D1157-1
D1157-0



MECCANICHE MARCO MORETTO S.R.L.
BRAKE PADS COMPONENTS



Drawing in CAD corrections are not allowed

TOLLERANCE: ± 0.5