
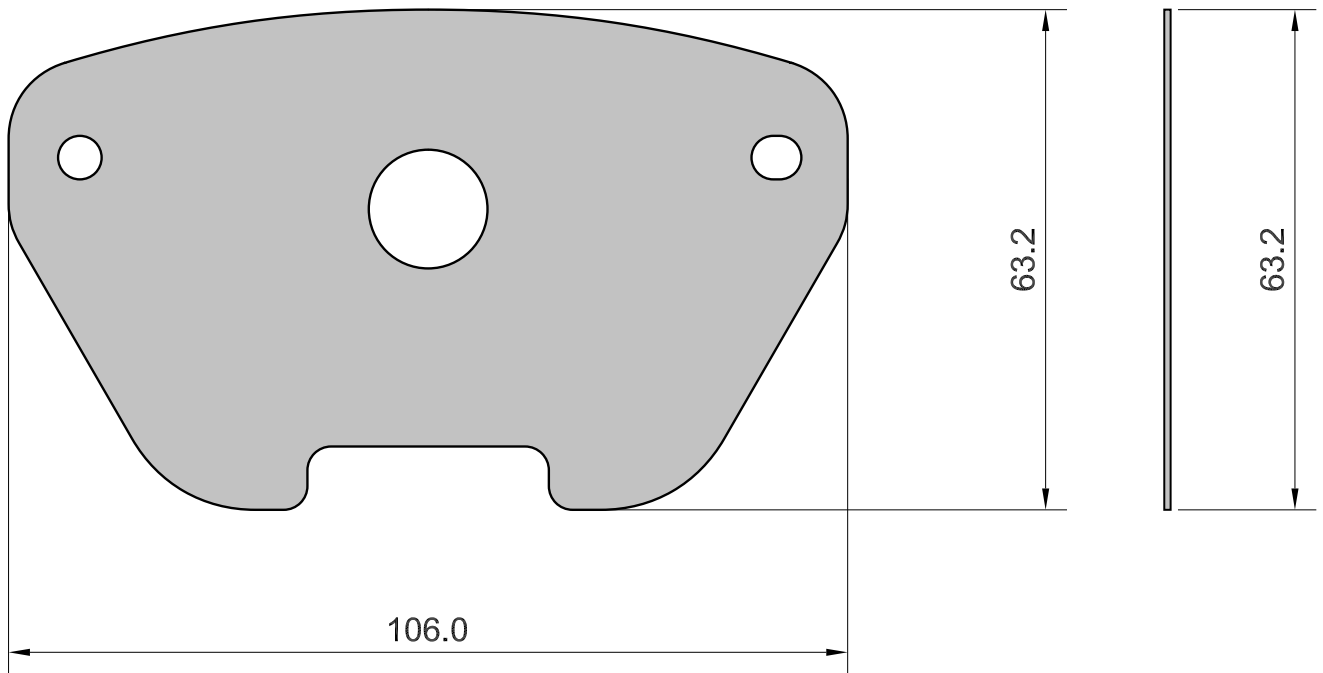


APPLICATION BMW: SERIES 5,6,7,X1	AXLE	SCALE	REV.	DATE	SHIM 679 B
	F	100%	00	24/05/2014	
	W.V.A. 23311 23312 23347 23733 24161 24255	FMSI D0918-I D1260-I	O.E.		 MECCANICHE MARCO MORETTO S.R.L. BRAKE PADS COMPONENTS



Drawing in CAD corrections are not allowed
TOLLERANCE: ± 0.5