
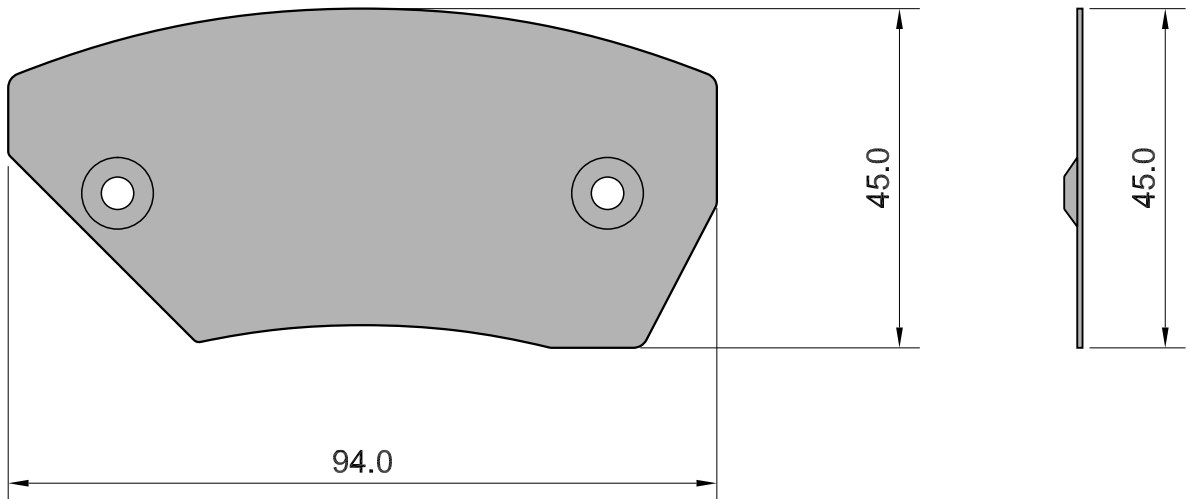


APPLICATION	AXLE	SCALE	REV.	DATE	SHIM 703
	F	100%	00	25/10/2013	
NISSAN RENAULT SUZUKI	W.V.A.	FMSI	O.E.		 <b>MECCANICHE MARCO MORETTO S.R.L.</b> BRAKE PADS COMPONENTS
	23973 24403 25729	D1491	41060-AX61A 41060-AX625 7701208422 55810-62J00 55810-62J31-000		



Drawing in CAD corrections are not allowed

TOLLERANCE: ± 0.5