
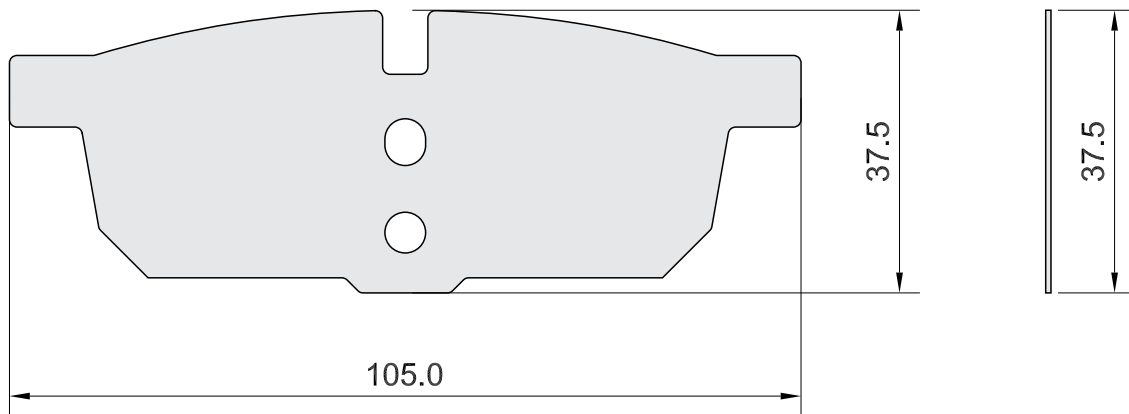


APPLICATION BMW:SERIE 1,SERIE 3,X1	AXLE	SCALE	REV.	DATE	SHIM 725
	R	100%	00	19/10/2015	
	W.V.A. 23926 23927 24226	FMSI D1267-0 D1271-0	O.E.		 MECCANICHE MARCO MORETTO S.R.L. BRAKE PADS COMPONENTS



Drawing in CAD corrections are not allowed
TOLLERANCE: ± 0.5