
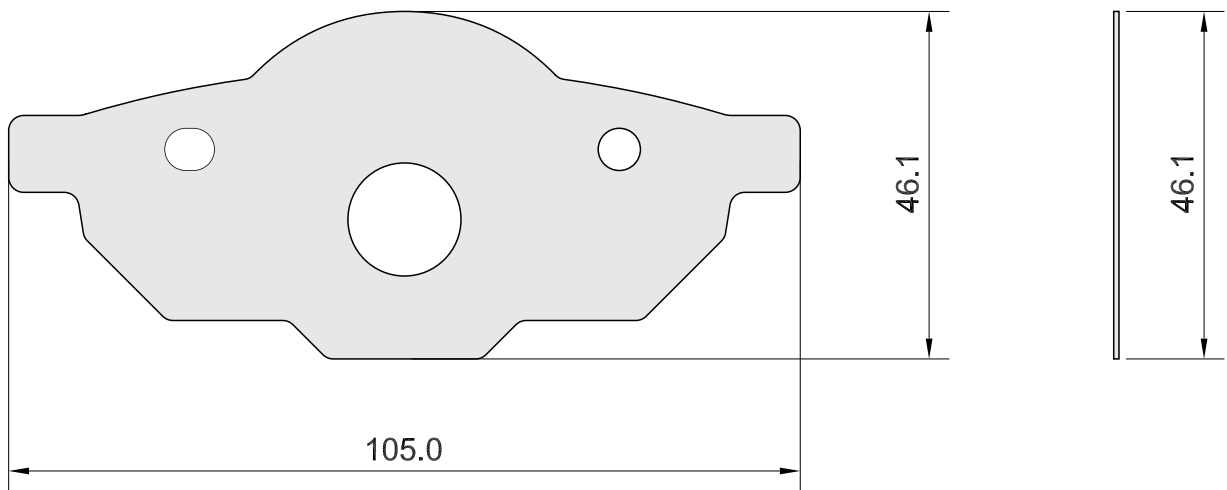


APPLICATION BMW:SERIE 1,SERIE 3,X1	AXLE	SCALE	REV.	DATE	<b>SHIM 726</b>
	R	100%	00	19/10/2015	
	W.V.A. 23926 23927 24226	FMSI D1267-I D1171-I	O.E.		 <b>MECCANICHE MARCO MORETTO S.R.L.</b> <b>BRAKE PADS COMPONENTS</b>



Drawing in CAD corrections are not allowed  
**TOLLERANCE: ± 0.5**