
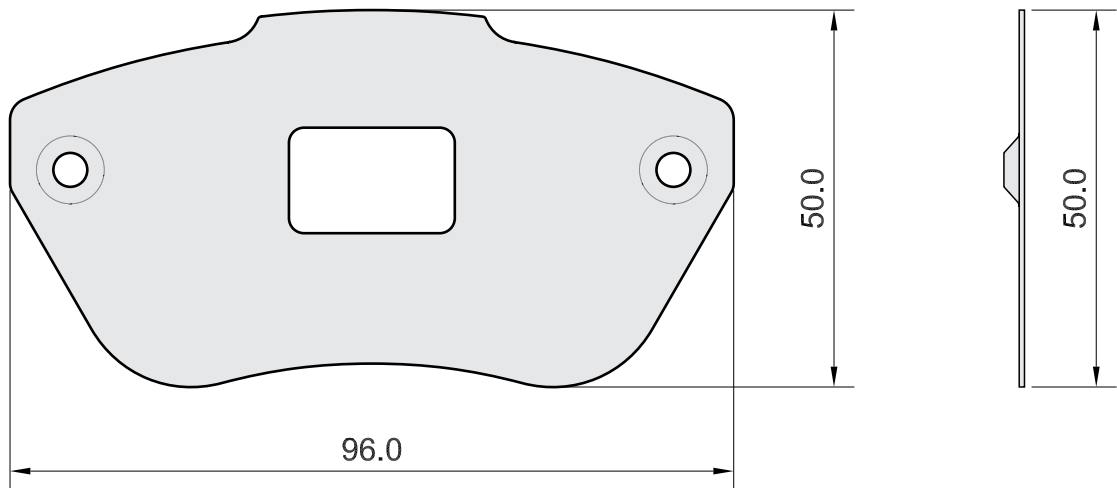


APPLICATION	AXLE	SCALE	REV.	DATE	SHIM 735
	F	100%	00	19/10/2015	
FIAT:IDEA,PUNTO EVO,PANDA JTD 4X4, PANDA 1.4 16V 4X4,500 OPEL:CORSA CITROEN:NEMO ALFA ROMEO:MITO	W.V.A. 23705 23706 23707 23979 23982	FMSI D1616	O.E.		 <b>MECCANICHE MARCO MORETTO S.R.L.</b> <b>BRAKE PADS COMPONENTS</b>



Drawing in CAD corrections are not allowed  
**TOLLERANCE: ± 0.5**