
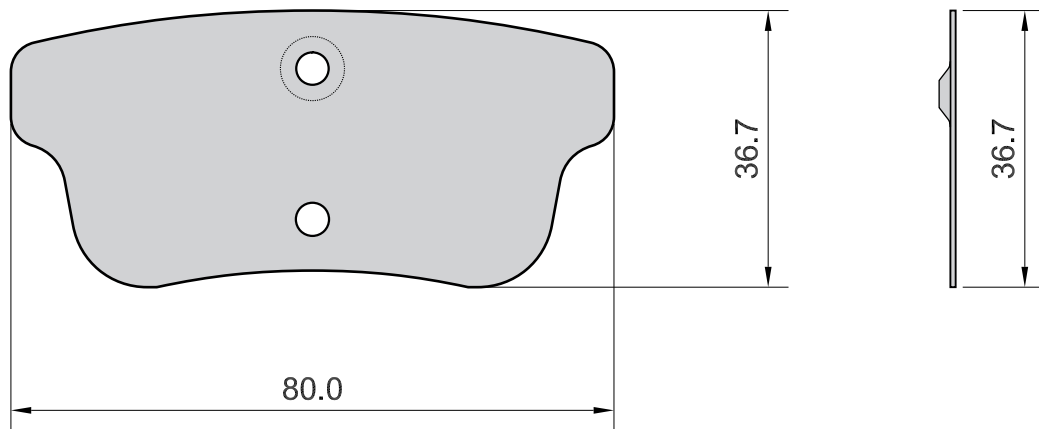


APPLICATION	AXLE	SCALE	REV.	DATE	SHIM 749
	R	100%	00	28/07/2014	
<b>CITROEN:</b> C4,PICASSO,FIVE HUNDRED, FREESTYLE,MONDEO <b>MERCURY:</b> MONTEGO <b>PROTON:</b> GEN-2,SATRIA	W.V.A. 24260 24540	FMSI D1071	O.E.	 <b>MECCANICHE MARCO MORETTO S.R.L.</b> BRAKE PADS COMPONENTS	



Drawing in CAD corrections are not allowed  
**TOLLERANCE: ± 0.5**