
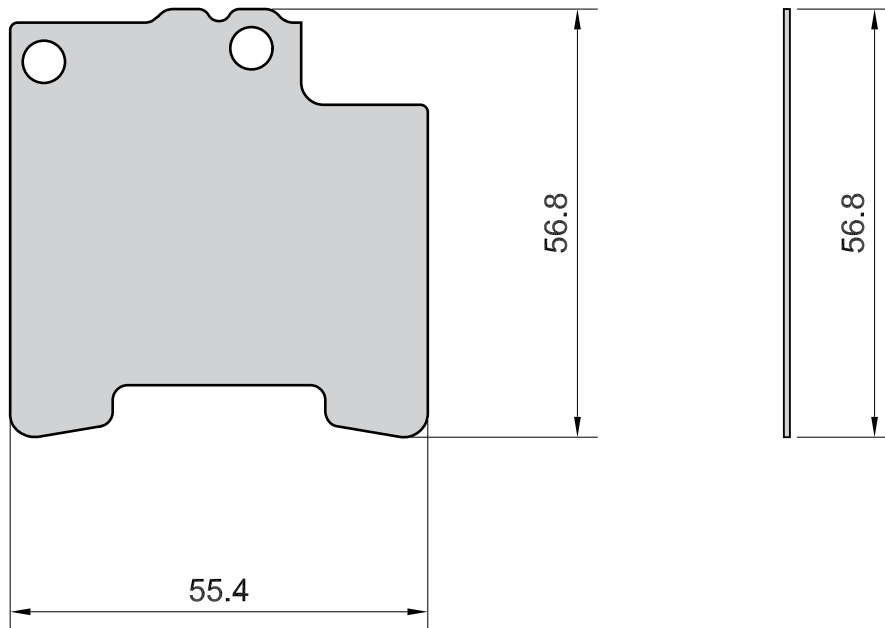


APPLICATION	AXLE	SCALE	REV.	DATE	SHIM 759
	R	100%	00	27/11/2014	
MERCEDES: CLASSE C (T203),CLASSE C (W203),CLASSE C SPORTCOUPE' (C203), CLC,CLK (A209),CLK (C209),SLK (R171)	W.V.A. 21889 21899 21919	FMSI D873 D779	O.E.		 <b>MECCANICHE MARCO MORETTO S.R.L.</b> BRAKE PADS COMPONENTS



Drawing in CAD corrections are not allowed  
**TOLLERANCE: ± 0.5**