
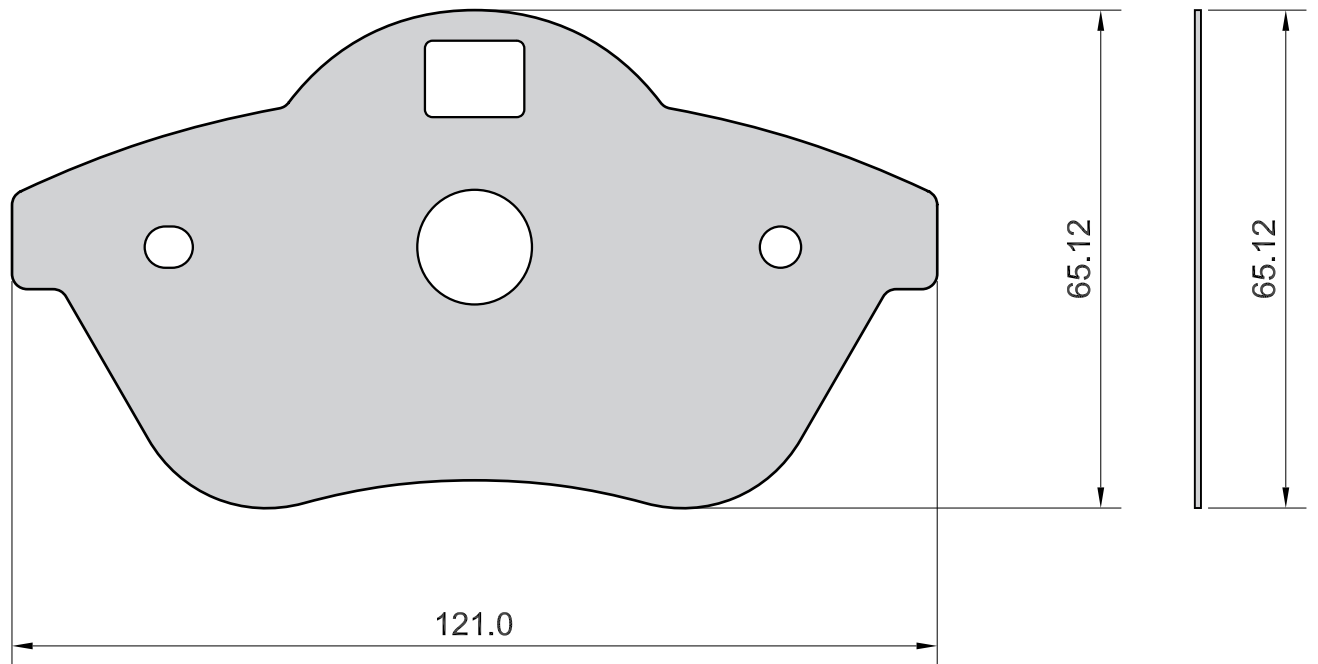


| | | | | | |
|--|-----------------------------------|-------|-----------------|--|---|
| APPLICATION RENAULT: LAGUNA,MEGANE,WIND | AXLE | SCALE | REV. | DATE | SHIM 807 |
| | F | 100% | 00 | 22/07/2014 | |
| | W.V.A. 23216 23217 24535 | | FMSI D1542-I | O.E. 0054200820 0054200920 0054201520 |  MECCANICHE MARCO MORETTO S.R.L. BRAKE PADS COMPONENTS |



Drawing in CAD corrections are not allowed
TOLLERANCE: ± 0.5