
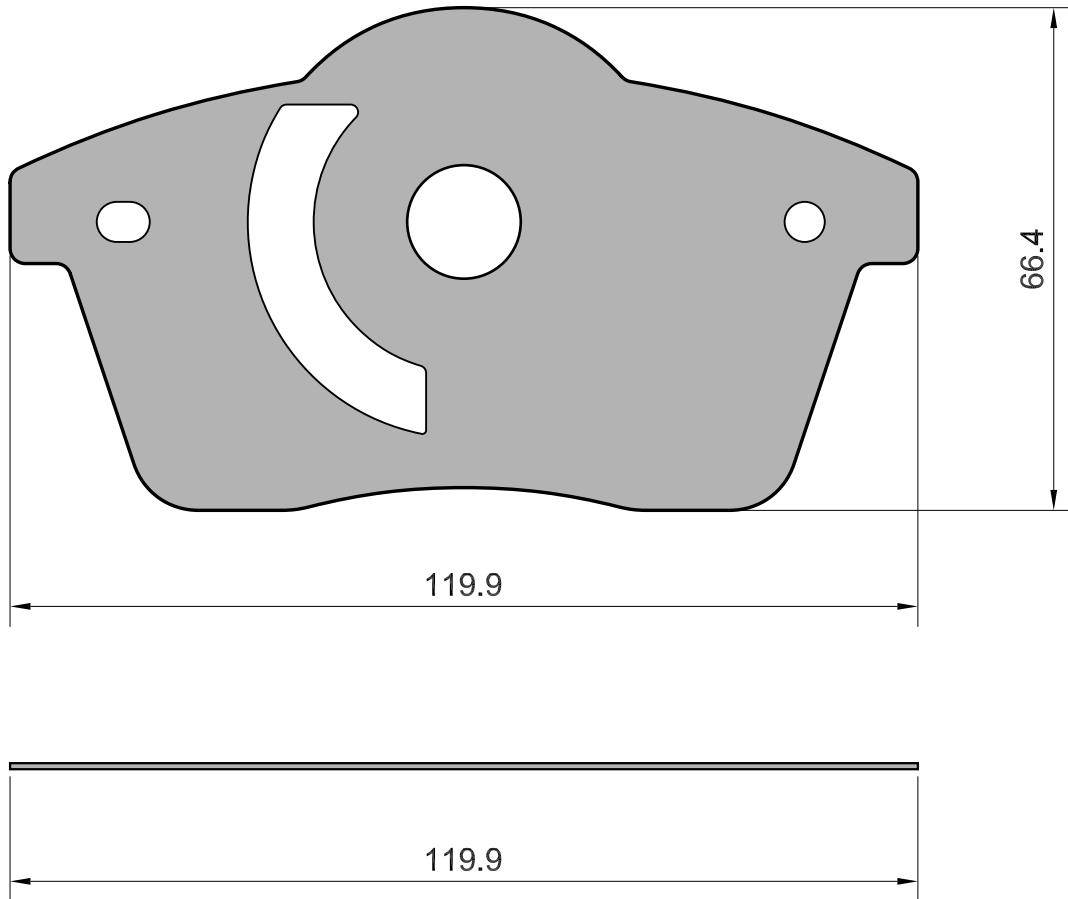


APPLICATION	AXLE	SCALE	REV.	DATE	SHIM 844 B
	F	100%	00	15/03/2013	
OPEL : ASTRA, MERIVA, ZAFIRA SATURN: ASTRA VAUXHALL: MERIVA	W.V.A. 23844	FMSI D1361-I	O.E. 1605998 93181189 1605080 1605252 93191893	 MECCANICHE MARCO MORETTO S.R.L. BRAKE PADS COMPONENTS	



Drawing in CAD corrections are not allowed
TOLLERANCE: ± 0.5