

APPLICATION

AXLE

SCALE

REV.

DATE

SHIM 901

F

100%

00

30/11/2013

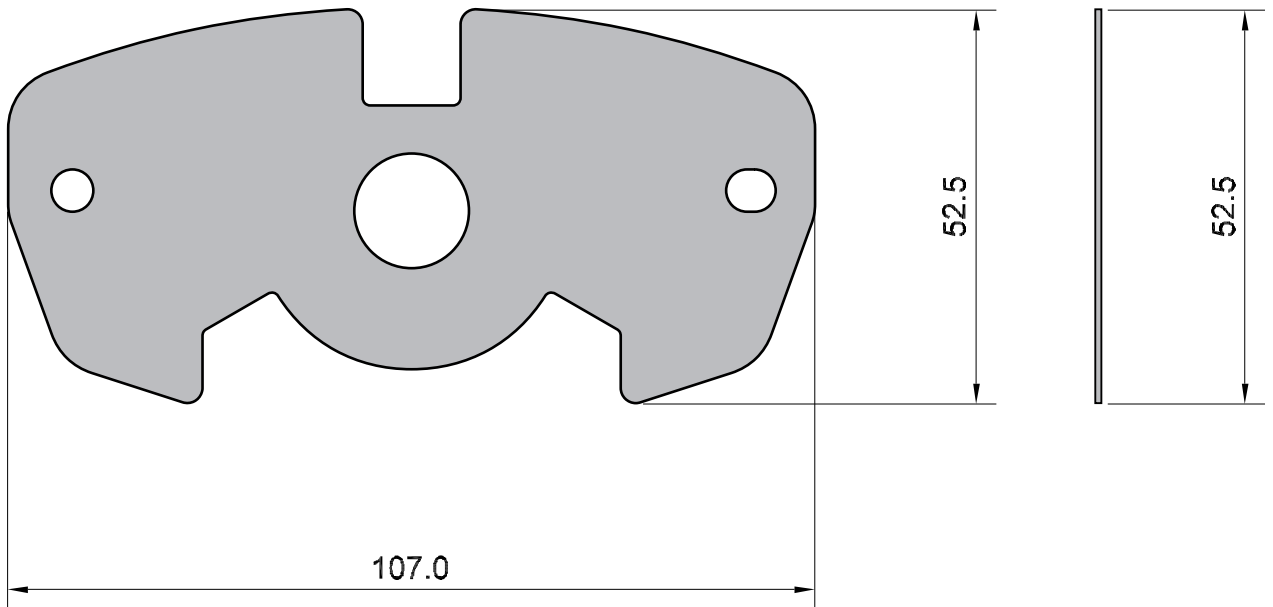
W.V.A.
24538
25180

FMSI

O.E.



MECCANICHE MARCO MORETTO S.R.L.
BRAKE PADS COMPONENTS



Drawing in CAD corrections are not allowed

TOLLERANCE: ± 0.5