
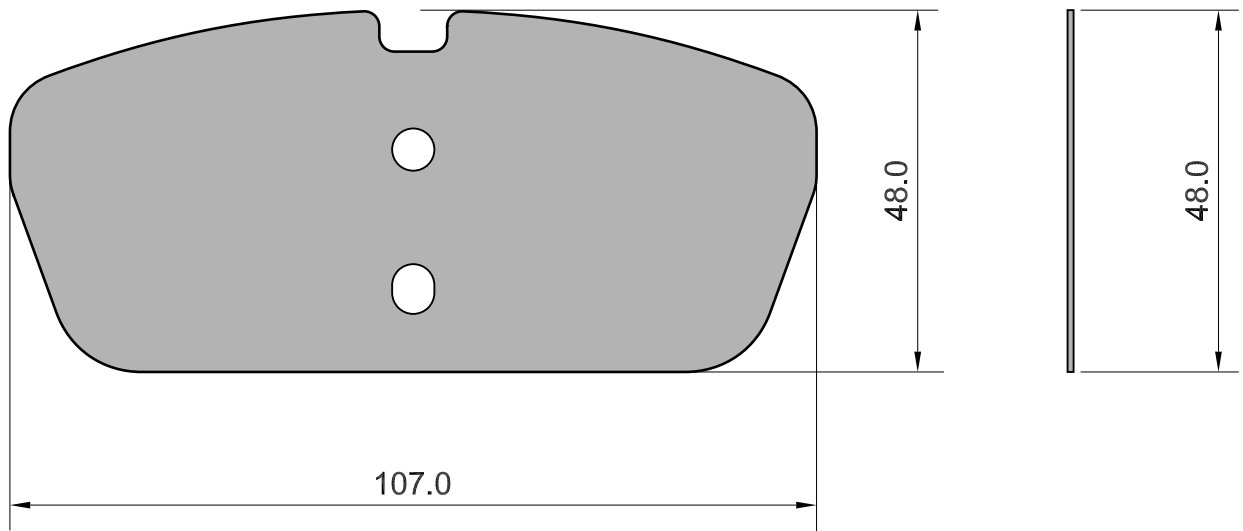


APPLICATION	AXLE	SCALE	REV.	DATE	SHIM 902
	F	100%	00	25/10/2013	
CITROEN PEUGEOT ALFA ROMEO	W.V.A. 24538 24539 24914	FMSI	O.E. 4253.61 4254.25 4254.13 4254.C0 77365355	 MECCANICHE MARCO MORETTO S.R.L. BRAKE PADS COMPONENTS	



Drawing in CAD corrections are not allowed
TOLLERANCE: ± 0.5