
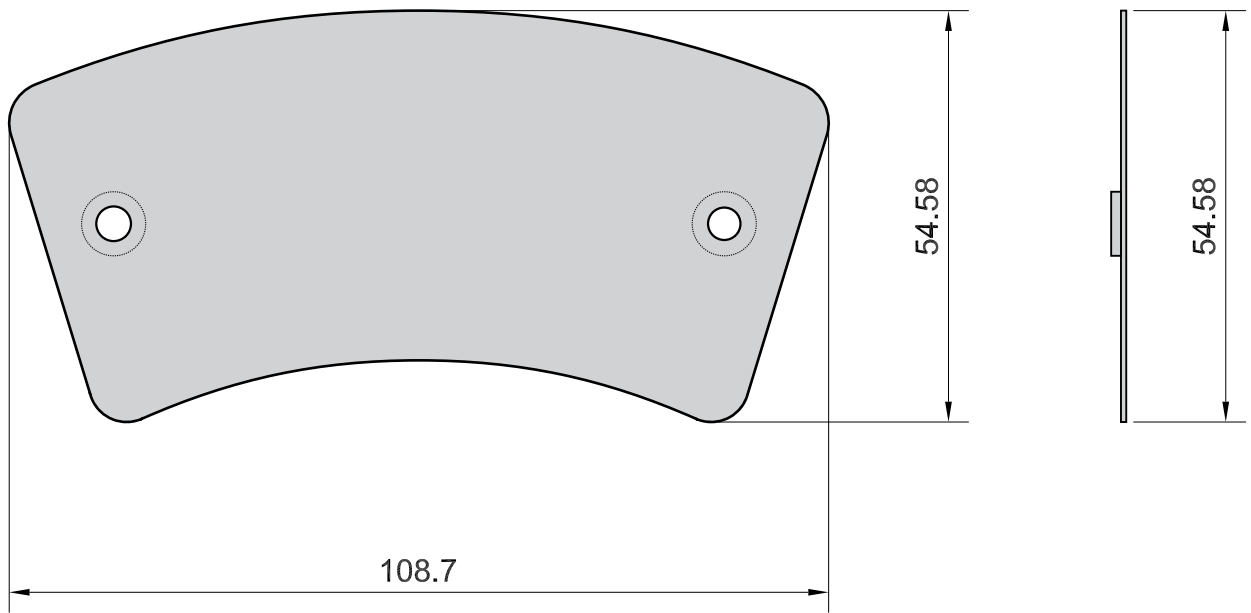


APPLICATION  RENAULT: KANGOO	AXLE	SCALE	REV.	DATE	<b>SHIM 937</b>
	F	100%	00	20/07/2014	
	W.V.A. 24693 25291		FMSI	O.E.	 <b>MECCANICHE MARCO MORETTO S.R.L.</b> <b>BRAKE PADS COMPONENTS</b>



Drawing in CAD corrections are not allowed  
**TOLLERANCE: ± 0.5**